



Filter/Regulator for Membrane Filtration Systems

Filter/Regulator for Compressed Air

The filter/regulator is used for regulating the pressure of and filtering compressed air. It includes a filter (5 micron), two regulators and two dual scale pressure gauges at 0-12 bar and 0-6 bar, respectively.

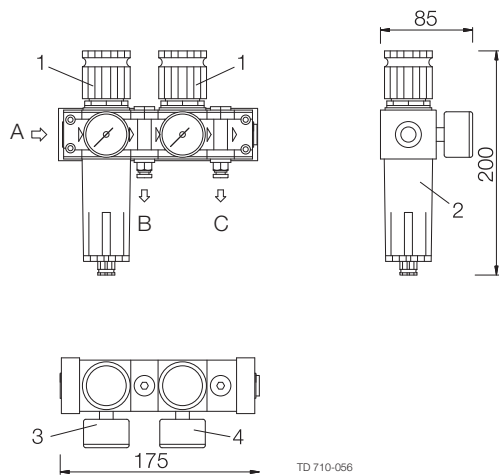
The air pressure can be set to 0-12 bar by the first regulator, and to 0-4 bar by the second regulator, thus providing both pilot and signal air.



TECHNICAL DATA

Code no.: 106249
 Max. inlet air pressure: 12 bar
 Rated capacity: 1100 Nl/min.
 Weight: 1 kg

- A Air inlet (Max. 12 bar)
- B Hose OD 6 mm 0-12 bar
- C Hose OD 6 mm 0-4 bar
- 1. Regulator
- 2. Filter 1/4" BSP
- 3. Pressure gauge (0-12 bar)
- 4. Pressure gauge (0-6 bar)



Alfa Laval reserves the right to change specifications without prior notification. ALFA LAVAL is a trademark registered and owned by Alfa Laval Corporate AB.

ESE00620EN 1201

© Alfa Laval

How to contact Alfa Laval

Contact details for all countries are continually updated on our website. Please visit www.alfalaval.com to access the information direct.